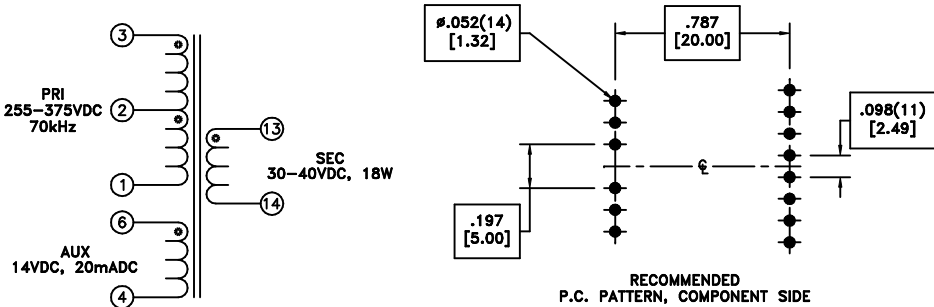
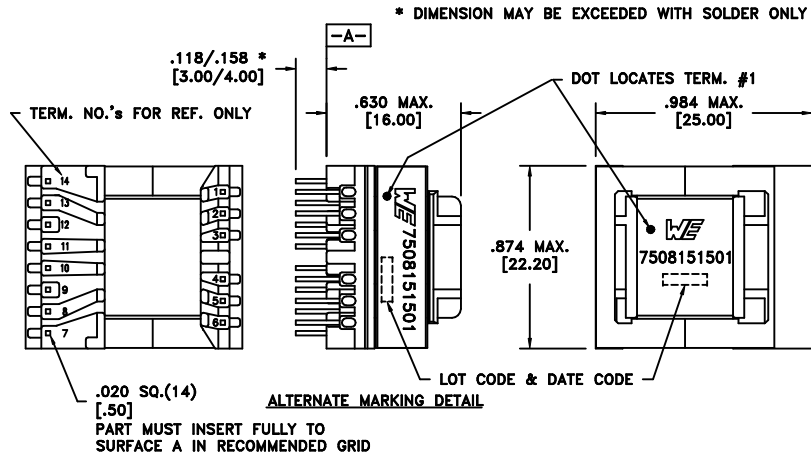


CUSTOMER TERMINAL	RoHS	LEAD(Pb)-FREE
Sn96%, Ag4%	Yes	Yes

more than you expect



**ELECTRICAL SPECIFICATIONS @ 25°C unless otherwise noted:**

PARAMETER	TEST CONDITIONS	VALUE
D.C. RESISTANCE	3-1 @20°C	3.80 ohms ±10%
D.C. RESISTANCE	6-4 @20°C	0.380 ohms ±10%
D.C. RESISTANCE	13-14 @20°C	0.120 ohms ±10%
INDUCTANCE	3-1 70kHz, 100mVAC, Ls	1.78mH ±10%
LEAKAGE INDUCTANCE	3-1 tie(4+6, 13+14), 100kHz, 100mVAC, Ls	45uH max.
DIELECTRIC	3-13 tie(1+6), 4500VAC, 1 second	4500VAC, 1 minute
TURNS RATIO	(3-1):(6-4)	11.54:1, ±2%
TURNS RATIO	(3-1):(13-14)	5.17:1, ±2%
TURNS RATIO	(3-2):(2-1)	1:1, ±2%

**GENERAL SPECIFICATIONS:**

OPERATING TEMPERATURE RANGE: -40°C to +125°C including temp rise.

Designed to comply with the following requirements as defined by IEC61558-2-16:

- Reinforced insulation for a primary circuit at a working voltage of 400VDC.

Wire insulation & RoHS status not affected by wire color.  
Wire insulation color may vary depending on availability.

DETAILS SUBJECT TO CHANGE

REV.	DATE	Packaging Specifications Method: Tray PKG-0736 www.we-online.com/midcom		Tolerances unless otherwise specified: Angles: ±1° Decimals: ±.005 [.13] Fractions: ±1/64 Footprint: ±.001 [.03]	DRAWING TITLE TRANSFORMER	PART NO. 7508151501
6A	11/12	SEE REVISION SHEET FOR REVISION LEVEL	CONVENTION PLACEMENT	This drawing is dual dimensioned. Dimensions in brackets are in millimeters.	eiSos p/n: 7508151501	compliant RoHS SPECIFICATION SHEET 1 OF 1