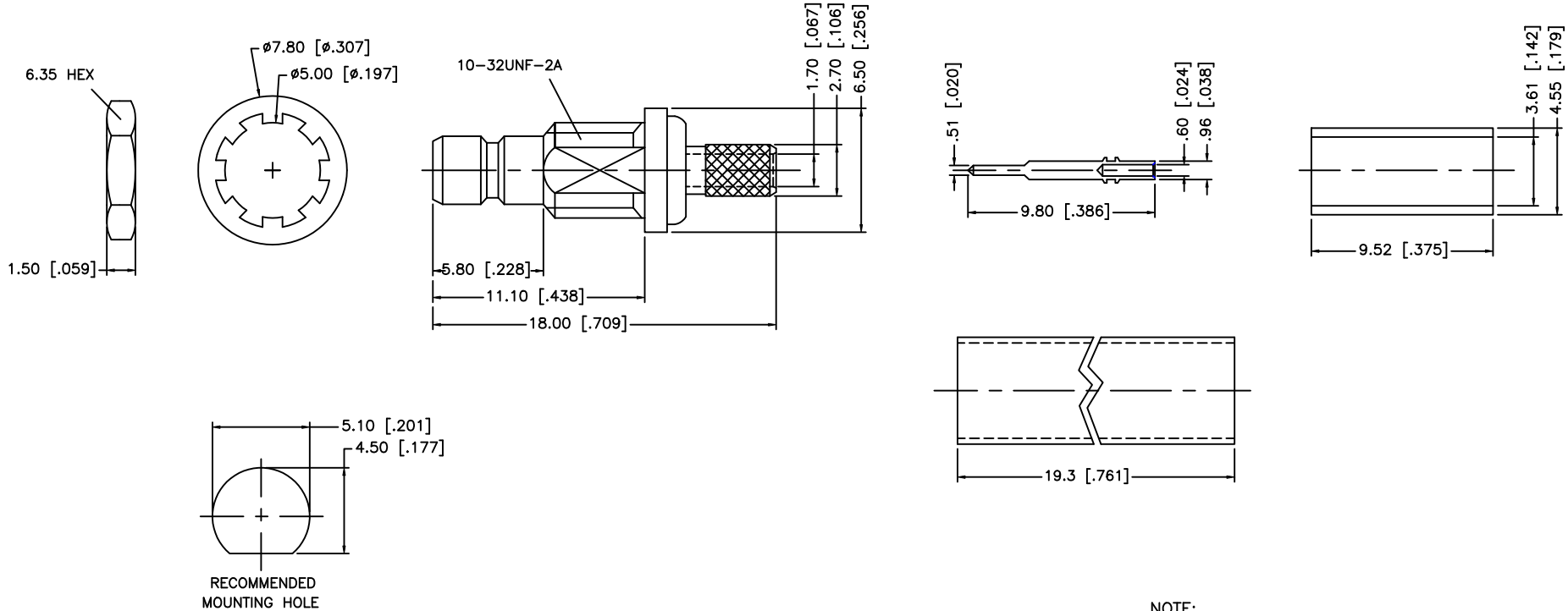
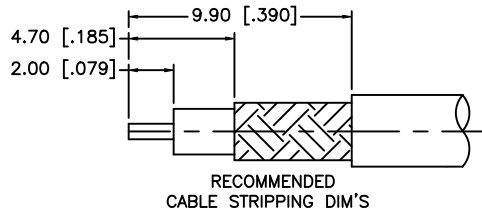


REV.	DATE	ECR NO.	DESCRIPTION
NC	01/25/99	-	INITIAL RELEASE
A	07/20/05	-	UPDATE DRAWING FORMAT
B	05/08/07	-	REVISE BARREL AND FERRULE DIMENSIONS
C	05/25/08	-	REVISE NOTE 1 TO .151" HEX, REMOVE NOTE 2.
D	11/11/08	-	ADD NOTE 2 "CONTACT PIN TO SOLDER"



NOTE:

1. CRIMPED FERRULE HEX CRIMP SIZE .151"
2. CONTACT PIN TO SOLDER.
3. MAX. PANEL THICKNESS = 2.4mm

DESCRIPTION	MATERIAL	FINISH	QTY	UNLESS OTHERWISE SPECIFIED DIMENSIONS ARE IN MILLIMETERS. DIMENSIONS IN [ ] ARE IN INCHES AND FOR CUSTOMER REFERENCE ONLY.	APPROVALS	DATE	<h1 style="color: blue; margin: 0;">Amphenol Connex</h1>		
8								<p>PART DESCRIPTION</p> <h2 style="text-align: center; margin: 0;">SMB BULKHEAD CRIMP JACK (FOR RG-316U/D CABLE)</h2> <p>PART NO.</p> <h1 style="text-align: center; margin: 0;">142192</h1> <p>DWG. NO. 142192.DWG    REV. D    SIZE A    SCALE NA</p>	
7	HEAT SHRINK TUBE		1		DRAWN	G.R.S.			11/11/08
6	FERRULE	COPPER	GOLD	1	CHECKED				
5	HEX NUT	BRASS	GOLD	1	ISSUED				
4	LOCK WASHER	BRASS	GOLD	1	SHEET	1 OF 1			
3	CONTACT PIN	BRASS	GOLD	1					
2	INSULATOR	TEFLON	NATURAL	1					
1	BODY	BRASS	GOLD	1					
					CAD FILE	C:/142/142192.DWG			

UNLESS OTHERWISE SPECIFIED DIMENSIONS ARE IN MILLIMETERS. DIMENSIONS IN [ ] ARE IN INCHES AND FOR CUSTOMER REFERENCE ONLY.

UNLESS OTHERWISE SPECIFIED TOLERANCES FOR MILLIMETERS ARE:  
 0.5 - 8mm ± 0.20mm  
 8 - 30mm ± 0.40mm  
 30 - 120mm ± 0.50mm

UNLESS OTHERWISE SPECIFIED TOLERANCES FOR INCHES ARE:  
 .020 - .315 = ± 0.007"  
 .315 - 1.180 = ± 0.015"  
 1.180 - 4.724 = ± 0.020"

DO NOT SCALE DRAWING