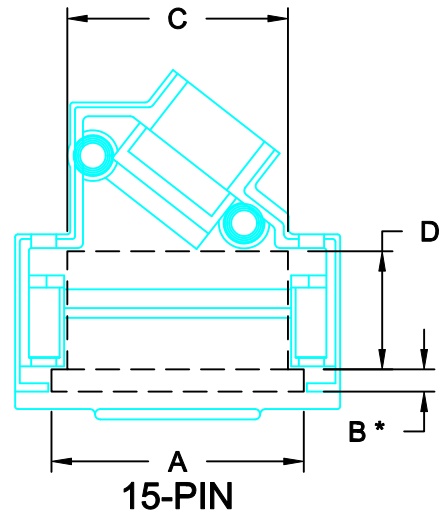
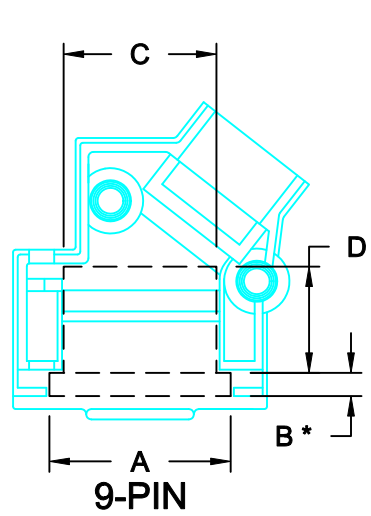


DIMENSIONS (IN.)

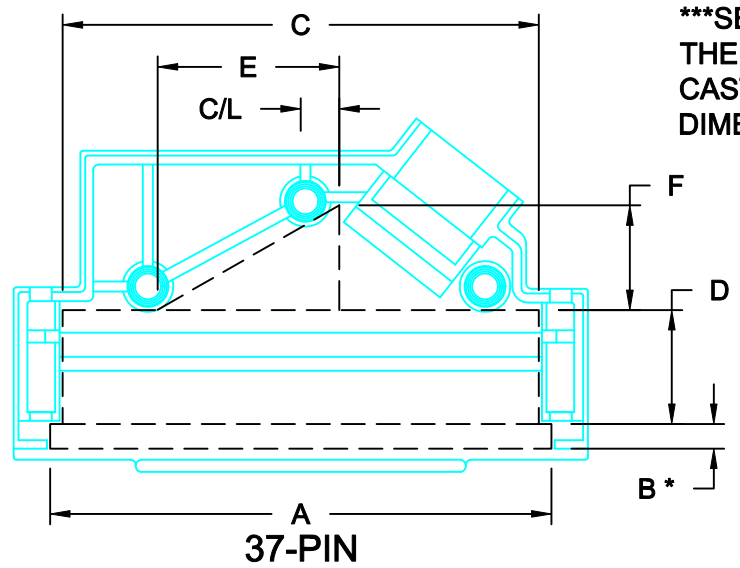
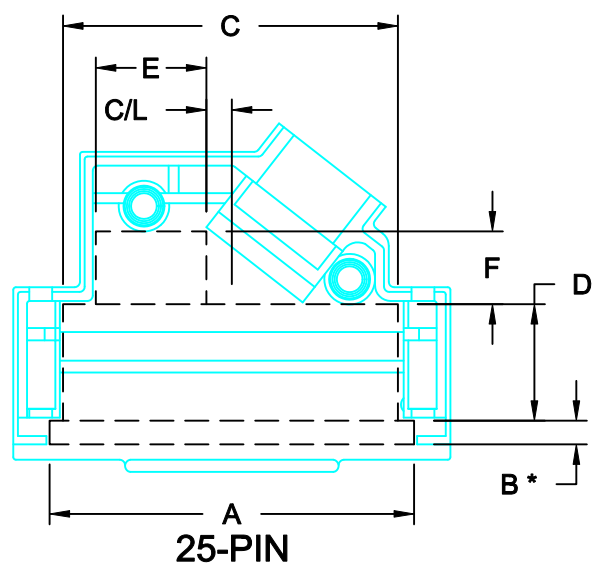
	9	15	25	37
A	0.864	1.202	1.737	2.389
B*	0.111	0.106	0.113	0.118
C	0.728	1.052	1.596	2.269
D	0.506	0.563	0.556	0.543
E			0.526	0.865
F			0.346	0.499
C/L			0.122	0.184
PCB	0.356	0.398	0.364	0.364



SEE NOTE 1. →

SEE NOTE 2. →

- NOTE:**
- "B" DIMENSION MEASURED FROM BACK SIDE OF CONNECTOR FLANGE
 - MIN. SAFE SPACING BETWEEN BACK SHELLS FOR PCB AND MOUNTED COMPONENTS
 - THESE DIMENSIONS ARE GOOD FOR THE PLASTIC AND METALIZED PLASTIC BACK SHELLS



SEE PAGE 3 FOR THE 50 POSITION DIE CAST INTERNAL DIMENSIONS

PLASTIC & METALIZED PLASTIC



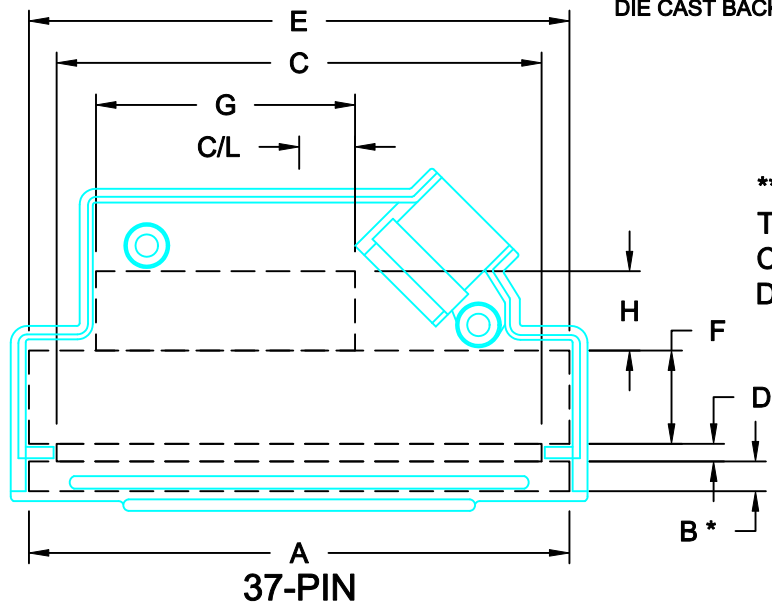
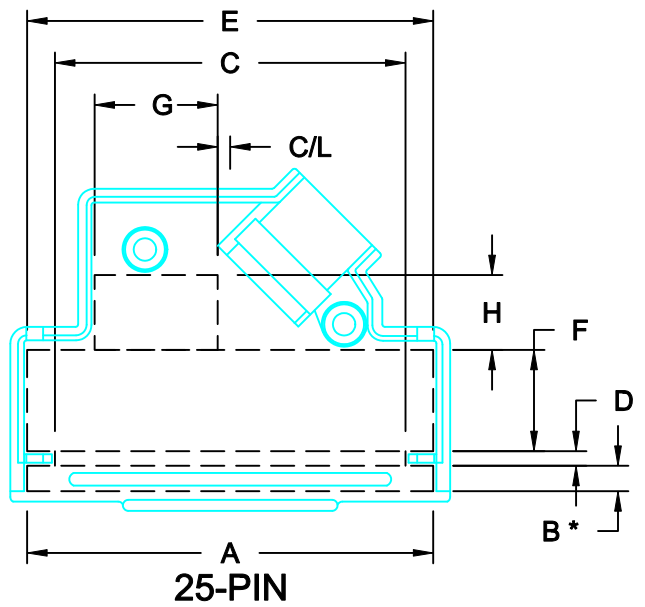
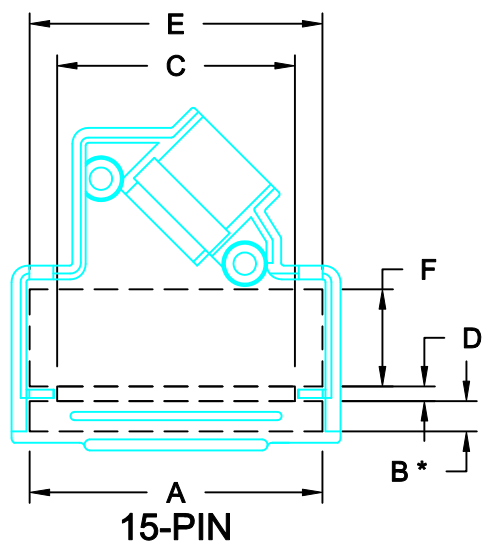
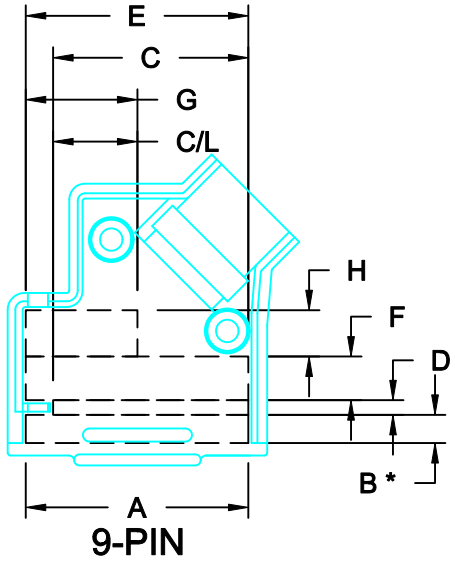
THESE DRAWINGS AND SPECIFICATIONS ARE THE PROPERTY OF NorComp AND SHALL NOT BE REPRODUCED, COPIED OR USED AS THE BASIS FOR THE MANUFACTURE OF SALE OF APPARATUS WITHOUT WRITTEN PERMISSION.

DRAWN: C. SMITH		DATE: 06-26-06	
CHECKED: X		DATE: X	
SCALE: N.T.S.	SHEET 1	OF 3	REV 0
DWG NO. ID - 971 SERIES			

NorComp

RoHS COMPLIANT

DESCRIPTION: INTERNAL DIMENSIONS - DIE CAST



	DIMENSIONS (IN.)			
	9	15	25	37
A	1.061	1.395	1.935	2.576
B*	0.135	0.145	0.121	0.142
C	0.930	1.133	1.670	2.311
D	0.070	0.070	0.070	0.084
E	1.061	1.395	1.935	2.576
F	0.208	0.463	0.483	0.445
G	0.532		0.646	0.968
H	0.221		0.357	0.378
C/L	0.402		0.060	0.267
PCB	0.422	0.422	0.415	0.418

SEE NOTE 1. →

SEE NOTE 2. →

- NOTE:**
- "B" DIMENSION MEASURED FROM BACK SIDE OF CONNECTOR FLANGE
 - MIN. SAFE SPACING BETWEEN BACK SHELLS FOR PCB MOUNTED COMPONENTS
 - THESE DIMENSIONS ARE GOOD FOR THE BLACK CHROMATE AND NICKEL PLATED DIE CAST BACK SHELLS

SEE PAGE 3 FOR THE 50 POSITION DIE CAST INTERNAL DIMENSIONS

DIE CAST



THESE DRAWINGS AND SPECIFICATIONS ARE THE PROPERTY OF NorComp AND SHALL NOT BE REPRODUCED, COPIED OR USED AS THE BASIS FOR THE MANUFACTURE OF APPARATUS WITHOUT WRITTEN PERMISSION.

DRAWN: C. SMITH

DATE: 07-19-06

CHECKED: X

DATE: X

SCALE: N.T.S.

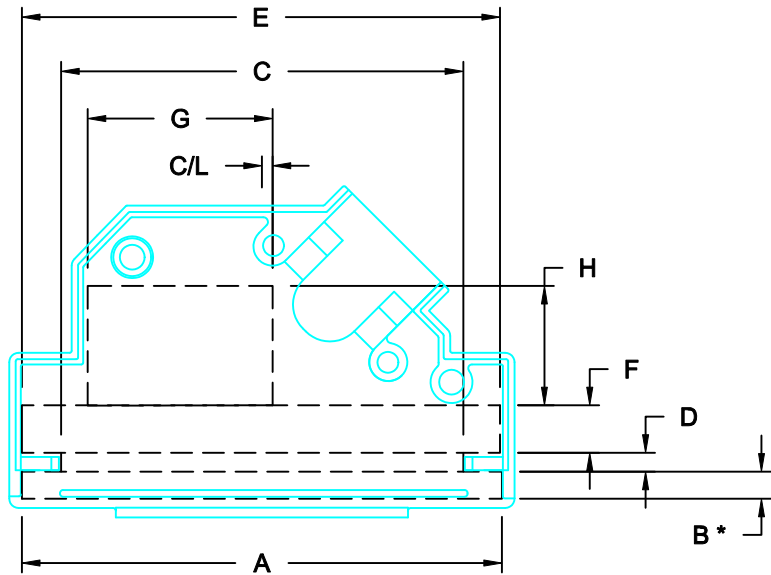
SHEET 2 OF 3

REV 0

NorComp

DWG NO. ID - 971 SERIES

RoHS COMPLIANT



50-POSITION

**DIMENSIONS
(IN.)**

	50
A	2.517
B *	0.049
C	2.237
D	0.070
E	2.517
F	0.216
G	0.985
H	0.593
C/L	0.057
PCB	0.591

SEE NOTE 1. →

SEE NOTE 2. →

NOTE:

1. "B" DIMENSION MEASURED FROM BACK SIDE OF CONNECTOR FLANGE
2. MIN. SAFE SPACING BETWEEN BACK SHELLS FOR PCB MOUNTED COMPONENTS

DO NOT SCALE FROM DRAWING



THESE DRAWINGS AND SPECIFICATIONS ARE THE PROPERTY OF NorComp AND SHALL NOT BE REPRODUCED, COPIED OR USED AS THE BASIS FOR THE MANUFACTURE OF SALE OF APPARATUS WITHOUT WRITTEN PERMISSION.

DRAWN:
M. SIGMON

DATE:
4-26-12

CHECKED:

DATE:

NorComp

SCALE: N.T.S. SHEET 1 OF 3 REV 0

DWG NO. ID - 971-050-030R121