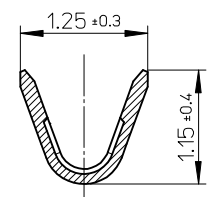
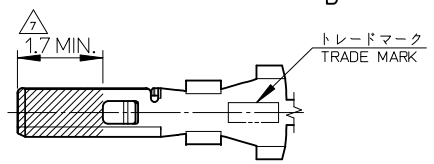
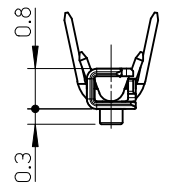
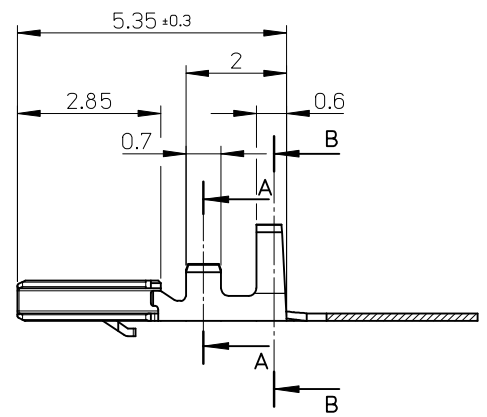
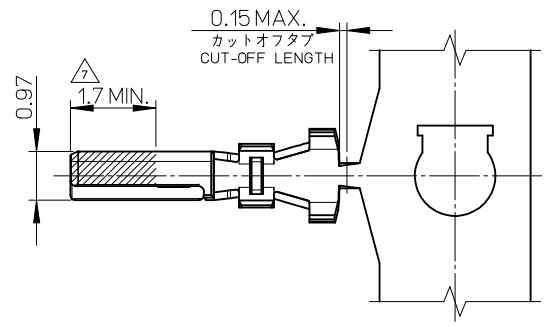
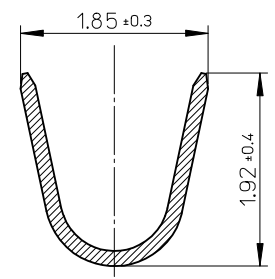


注記:  
NOTES:

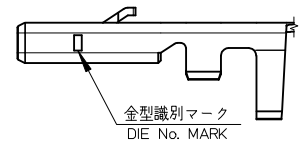
1. 材質: 銅合金 (板厚: 0.15)  
MATERIAL: COPPER ALLOY (THICKNESS: 0.15)
2. メッキ仕様  
FINISHES  
 錫メッキ: 0.4マイクロメートル以上  
 TIN PLATING: 0.4 MICROMETER MINIMUM  
 リフロー処理 (前めっき)  
 REFLOW TREATMENT (PRE-PLATED)  
 ニッケル下地メッキ: 0.1マイクロメートル以上  
 NICKEL (UNDER PLATING): 0.1 MICROMETER MINIMUM  
 リフロー処理 (前めっき)  
 REFLOW TREATMENT (PRE-PLATED)
3. 適合ハウジング: 503473シリーズ  
APPLICABLE HOUSING: 503473 SERIES
4. 適用電線範囲: AWG#26~28 (0.079~0.141mm<sup>2</sup>)  
WIRE RANGE: AWG#26~28 (0.079~0.141mm<sup>2</sup>)
5. 絶縁被覆外径: φ0.93~φ1.14  
INSULATION RANGE: φ0.93~φ1.14
6. 圧着仕様については、圧着仕様書CS-503485-001を参照願います。  
PLEASE REFER TO CRIMP SPECIFICATION CS-503485-001.  
 図示の斜線部の範囲は接点部のため、傷、打痕、汚れなどを付けないようにして下さい。  
 PLEASE DON'T DAMAGE, DON'T DENT, AND DON'T MAKE IT DIRTY.  
 BECAUSE THE RANGE IN THE SHADED PORTION SHOWN IN FIGURE IS THE CONTACT AREA.
8. 適用圧着工具: 578069-3000 (自動圧着機)  
APPLICABLE CRIMPING TOOL: 578069-3000 (AUTOMATIC)
9. ELV及びRoHS適合品  
ELV AND RoHS COMPLIANT.



SECTION A-A (SCALE 20:1)



SECTION B-B (SCALE 20:1)



連鎖状 CHAIN	503485-0000
端子形状 TERMINAL CONFIGURATION	オーダー番号 ORDER No.
コネクタシリーズ番号 CONNECTOR SERIES No.	503485-****

RELEASED EC No: J2010-0155 DRWN:HKOBAYASHI 2009/07/14 CHKD:SSATO03 2009/07/16 APPR:NIUKITA 2009/07/17	GENERAL TOLERANCES (UNLESS SPECIFIED)		DIMENSION STYLE MM ONLY		SCALE 10:1	DESIGN UNITS METRIC	THIRD ANGLE PROJECTION
	10 UNDER	±0.2	DRAWN BY H.KOBAYASHI	DATE 2009/7/14	TITLE 3.7 MULTIPLE CONN. PLUG CRIMP TERMINAL		
	10 OVER 30 UNDER	±0.25	CHECKED BY S.SATO	DATE 2009/7/14	MOLEX INCORPORATED		
	30 OVER	±0.3	APPROVED BY N.UKITA	DATE 2009/7/14	DOCUMENT NO. SD-503485-001	SHEET NO. 1 OF 1	
0	ANGULAR ±1 °	DRAFT WHERE APPLICABLE MUST REMAIN WITHIN DIMENSIONS		SIZE A3	THIS DRAWING CONTAINS INFORMATION THAT IS PROPRIETARY TO MOLEX INCORPORATED AND SHOULD NOT BE USED WITHOUT WRITTEN PERMISSION		