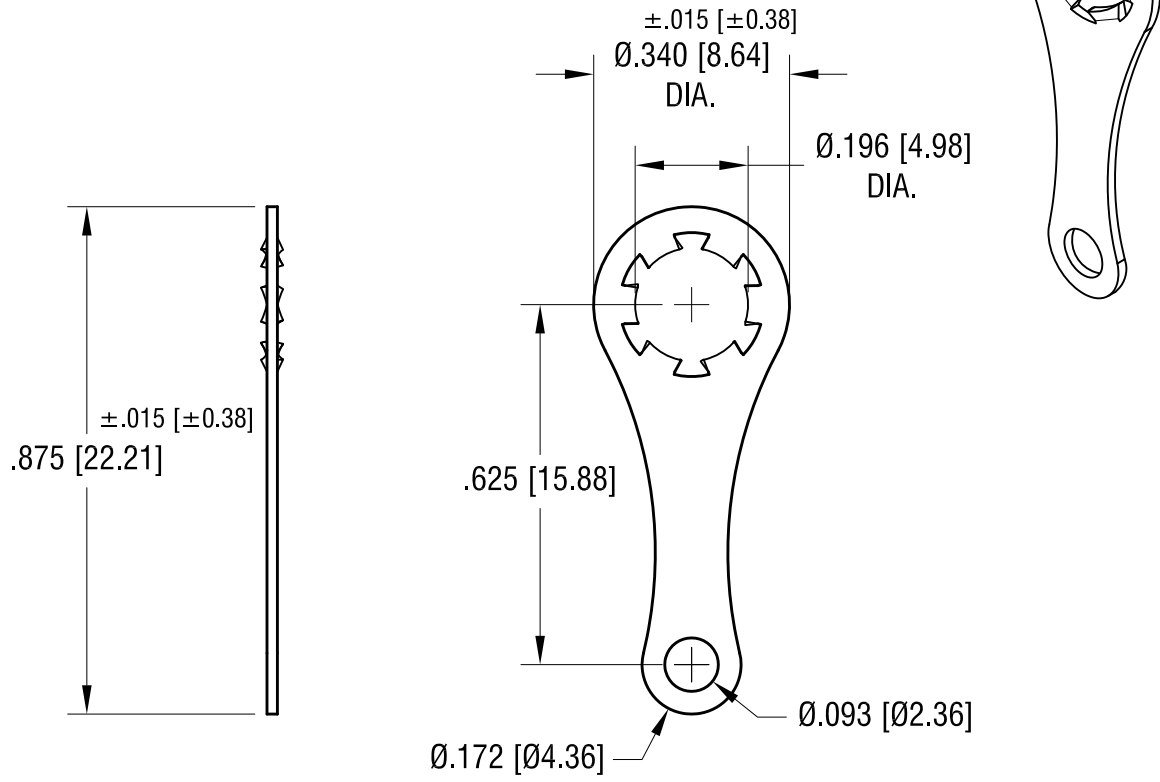


THIS DOCUMENT IS THE PROPERTY OF
KEYSTONE ELECTRONICS CORP. AND
SHALL NOT BE REPRODUCED, DISTRIBUTED
OR USED AS A BASIS FOR MANUFACTURE
WITHOUT PRIOR WRITTEN PERMISSION
FROM KEYSTONE ELECTRONICS CORP.



KEYSTONE ELECTRONICS CORP.			
www.keyelco.com • ASTORIA, N.Y. 11105-2017 • Tel (718) 956-8900			
PART NAME		TERMINAL LUG	
MATERIAL		.018 [0.45] TH'K BRASS	
FINISH		DRN BY	DATE
MATTE TIN PLATE		NT	11.15.10
		APP'D	SCALE
		LN	3X
TOLERANCES	INCH [MM]	CODE	DWG NO.
DECIMAL	± .010 [± 0.25]	C	913
ANGULAR	± 1°		
UNLESS OTHERWISE SPECIFIED			

1.06.11	CHANGE AS PER ECN 11-001	A	
DATE	DESCRIPTION	REV.	