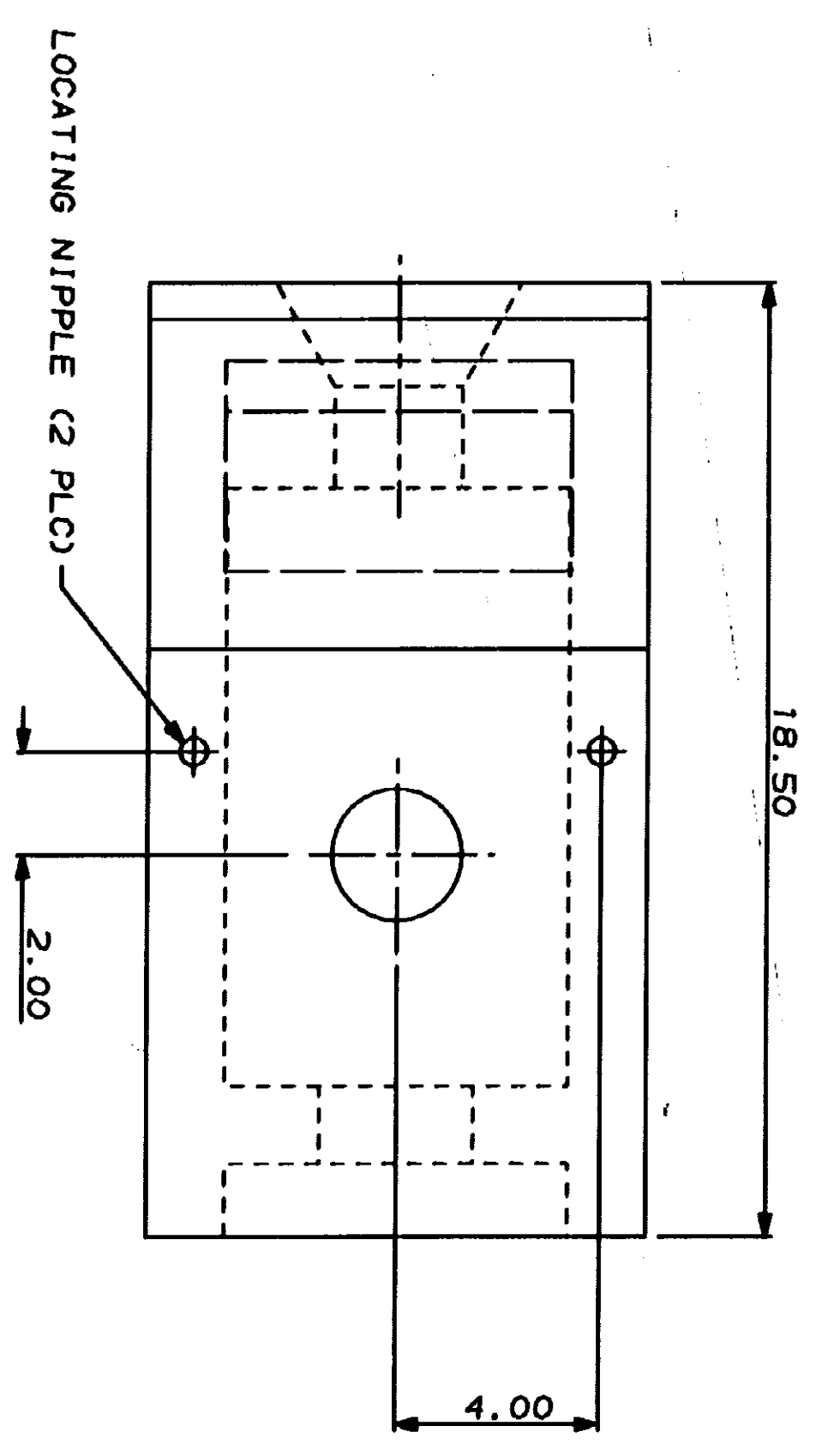
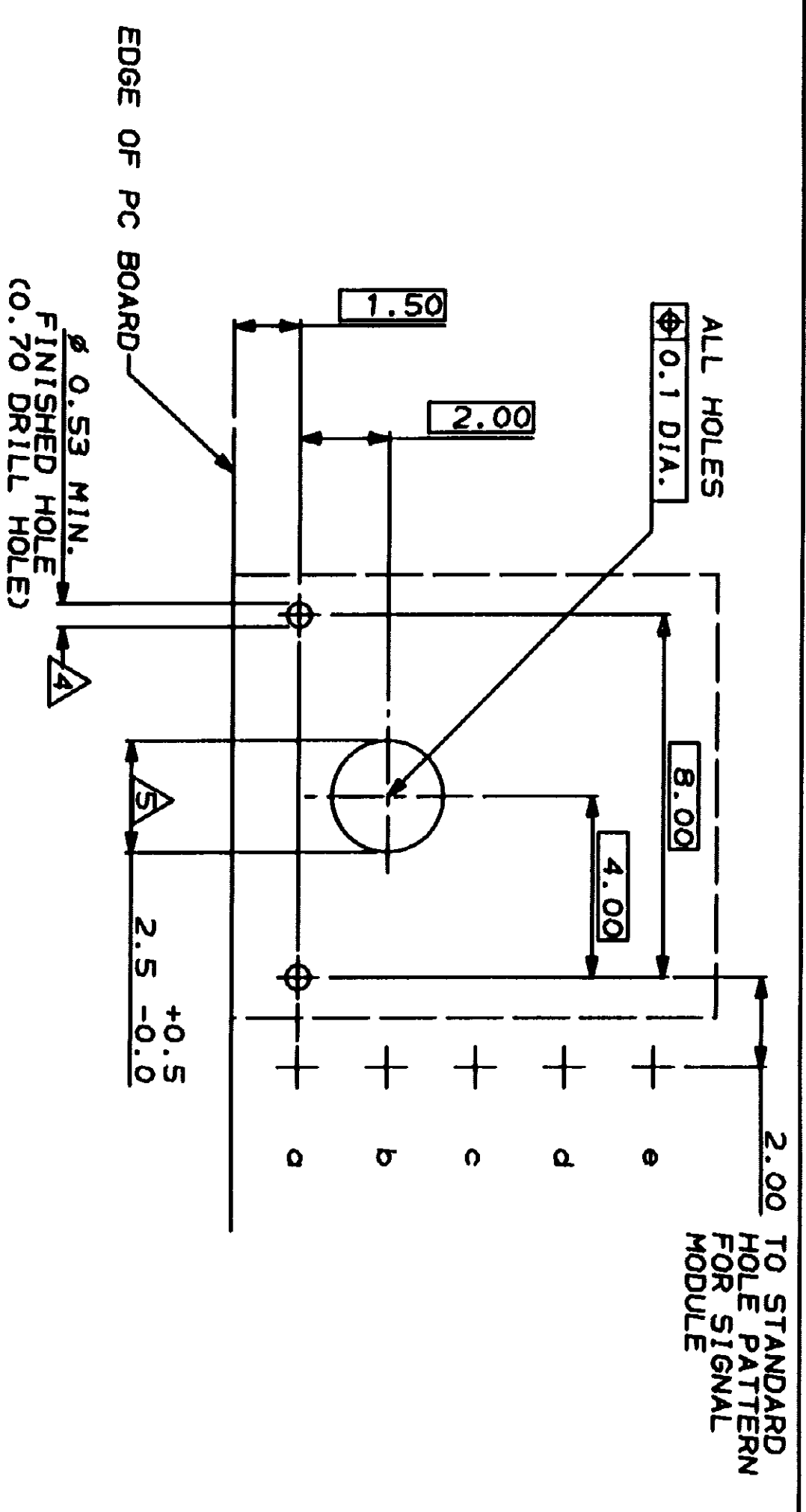
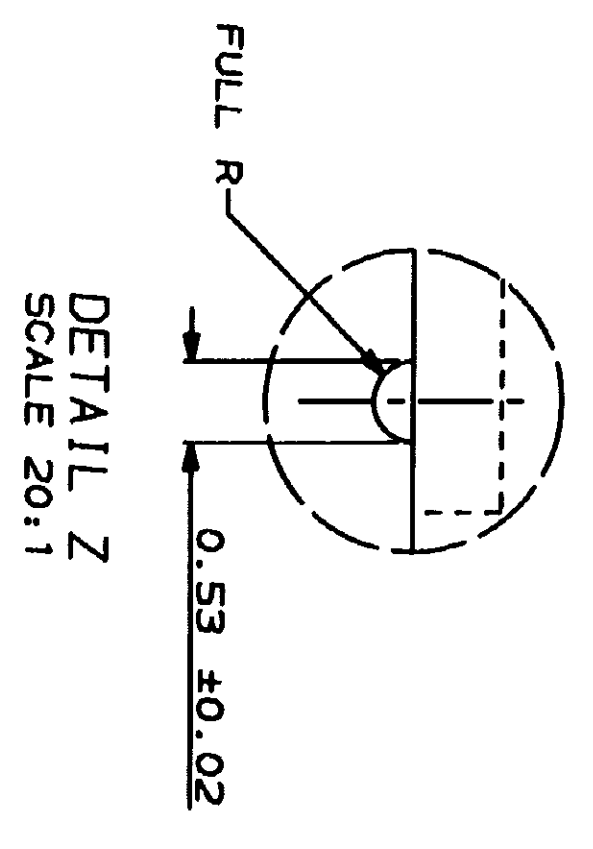
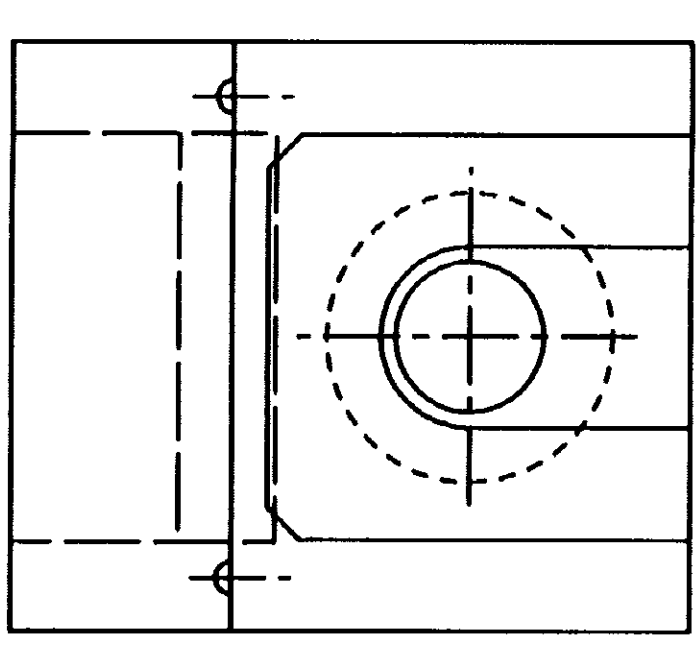
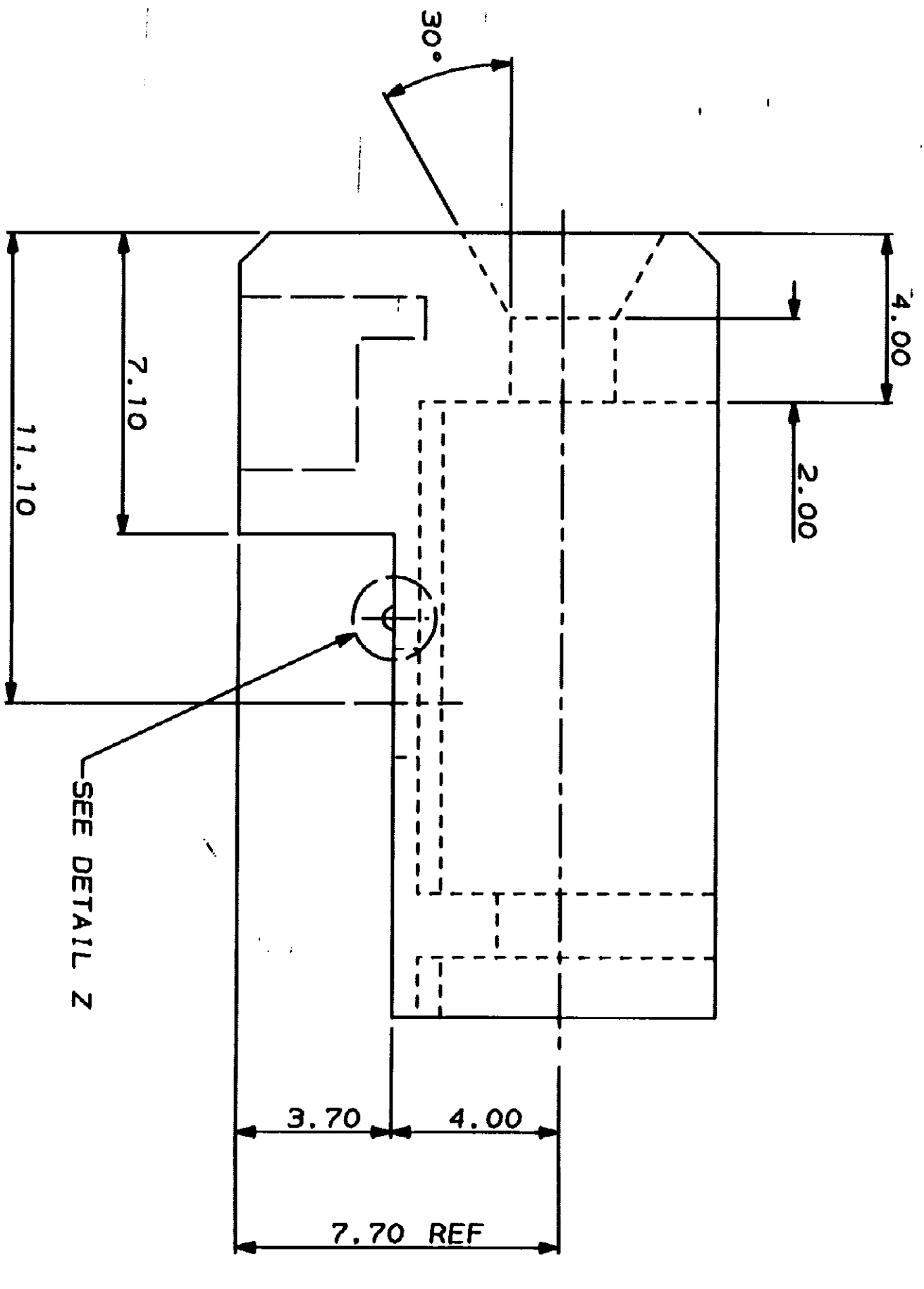
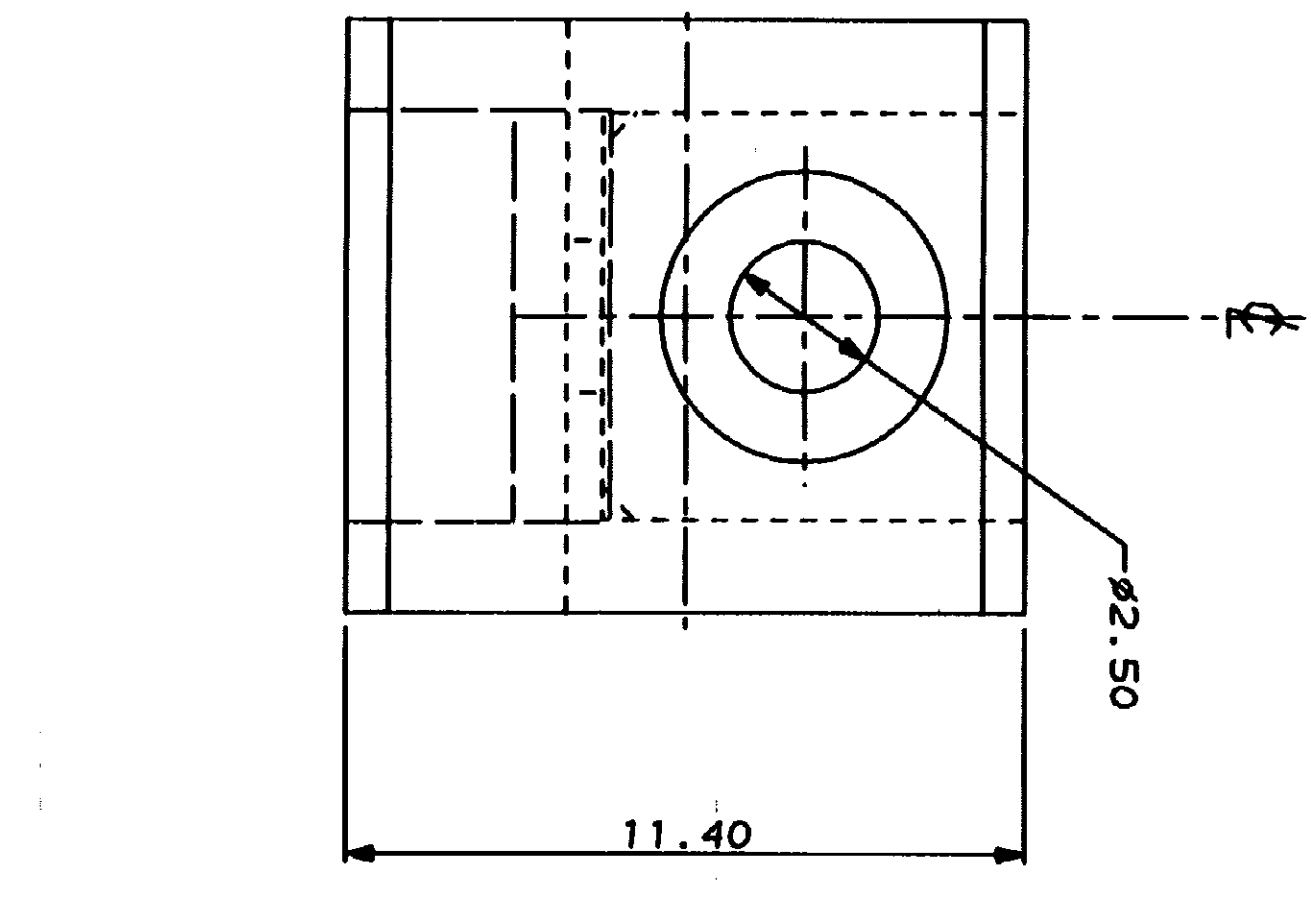
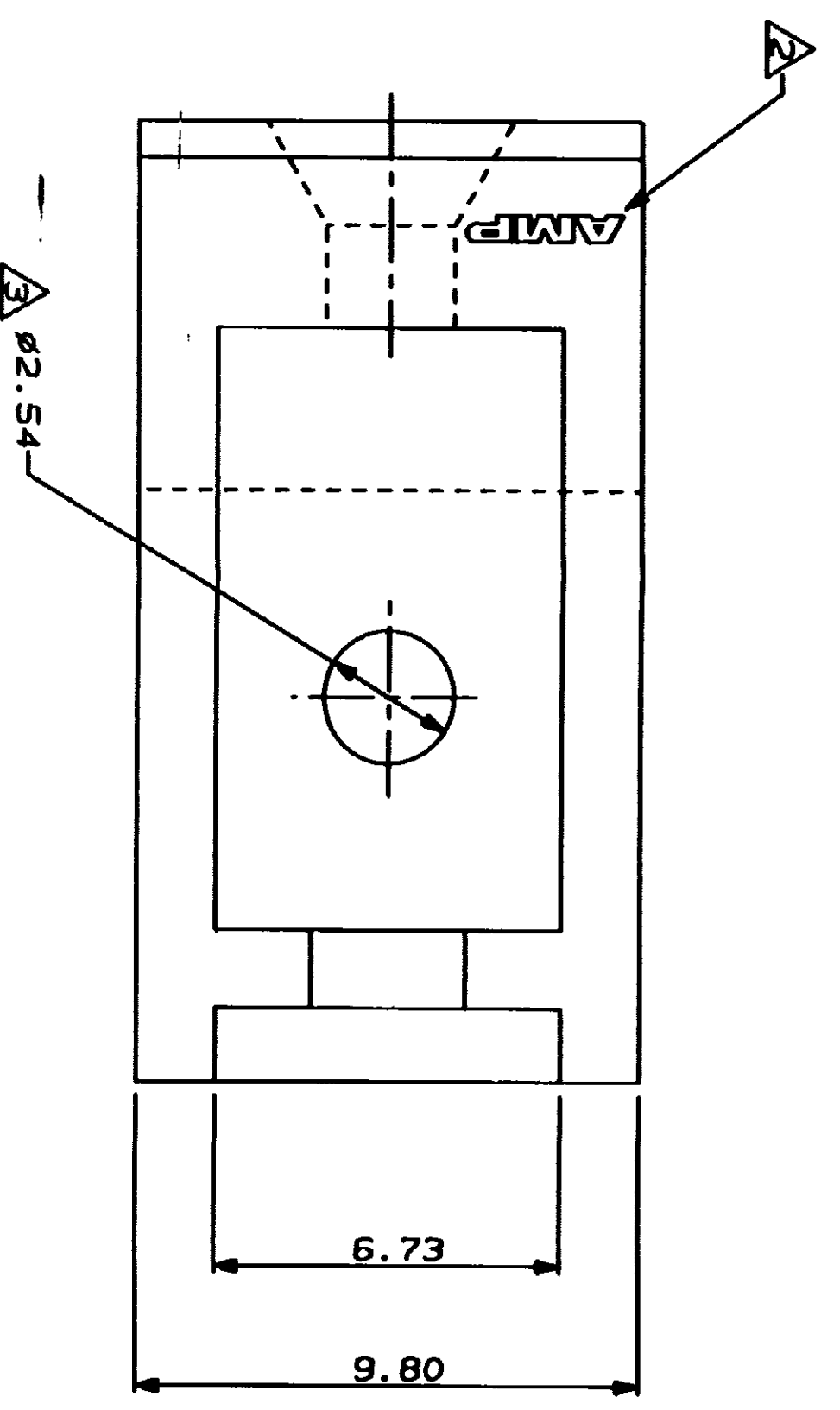


REV	DATE	BY	APPV	DESCRIPTION
AD	47			
0				REL. PER P.P.R. 92-6250-001.

- 1 MATERIAL: GRAY GLASS FILLED POLYESTER.
- 2 AMP TRADEMARK RECESSED.
- 3 THIS PART HAS A THRU HOLE TO ACCEPT GUIDE PIN RECEPTACLE, AMP PART NO. 539065-1.
- 4 LOCATING HOLES NEED NOT BE PLATED THRU HOLES, BUT LOCATING THRU HOLE DIA. 0.55mm FINISHED TO FIT MIN. PLATED THRU HOLE DIA. 0.55mm FINISHED.
- 5 PLATED THRU HOLE FOR POWER APPLICATION ONLY.



DO NOT SCALE PRINT. UNLESS SPECIFIED (DIMENSIONS IN INCHES) DIMENSIONS ON 1:1 DECIMALS 0.1 3 P.L.C DEC ± 0.1 AMERES ±				DR 12/02/92 D.R. BENDER	DATE
CHK 03/04/93 L.A. BARKUS				APPV 03/04/93 L.A. BARKUS	DATE
APPV 03/04/93 L.A. BARKUS				PRODUCT SPEC	DATE
PART NO					
AMP Incorporated Harrisburg, PA 17105-3608					
NAME					
POWER/GUIDE RECEPTACLE HOUSING MOLDED, 2mmHM					
FINISH	APPLICATION SPEC	SIZE	DATE	SCALE	SHEET
		D 00779	00779	8:1	1 OF 1