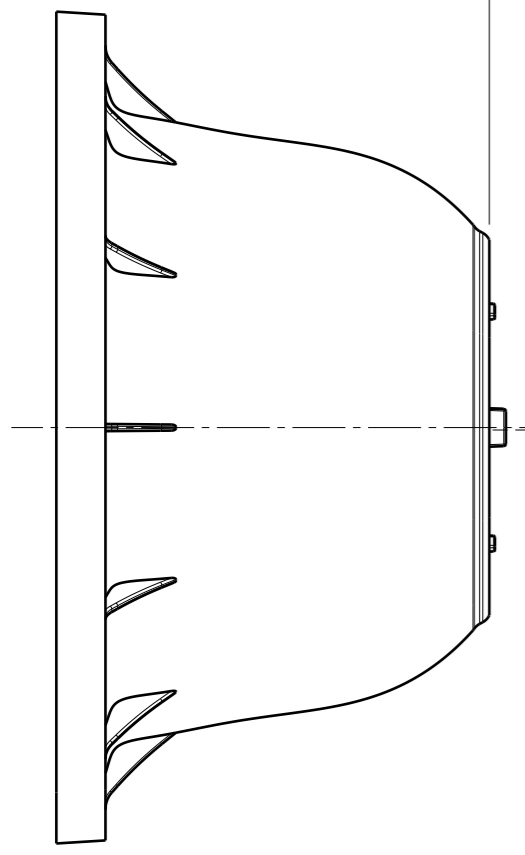
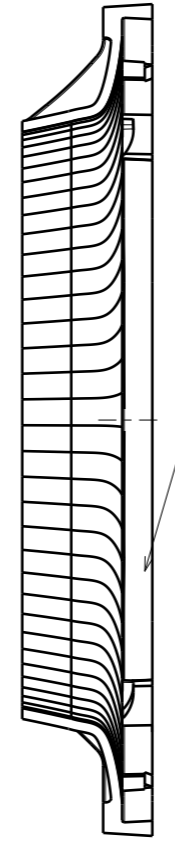
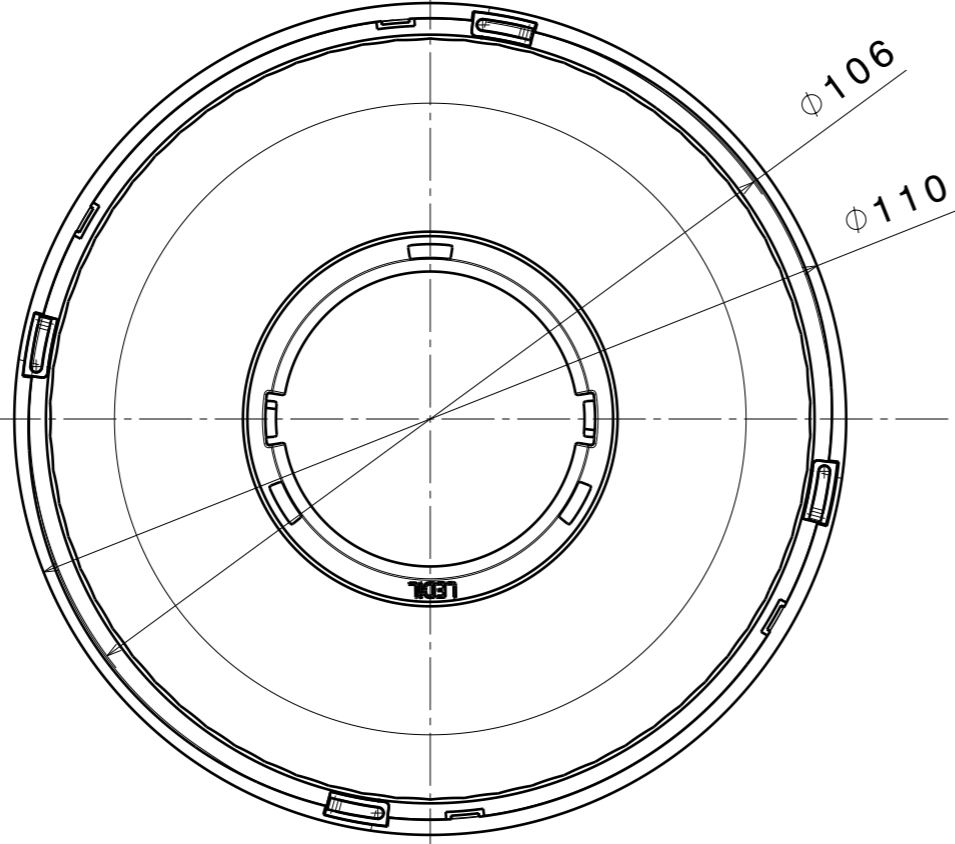


NOTE:
 Customer may add additional light modifying parts to Angelette family(excluding the plain versions):
 Minimum height of additional part is 1.5mm and maximum is 2.2mm. Diameter is 105.9mm±0.3

57.26 + Basepart



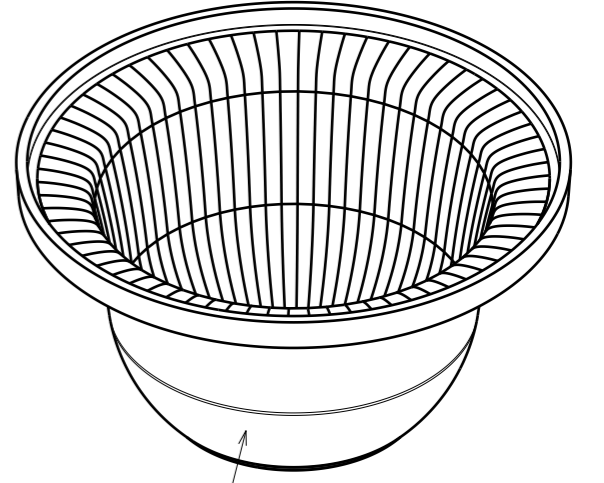
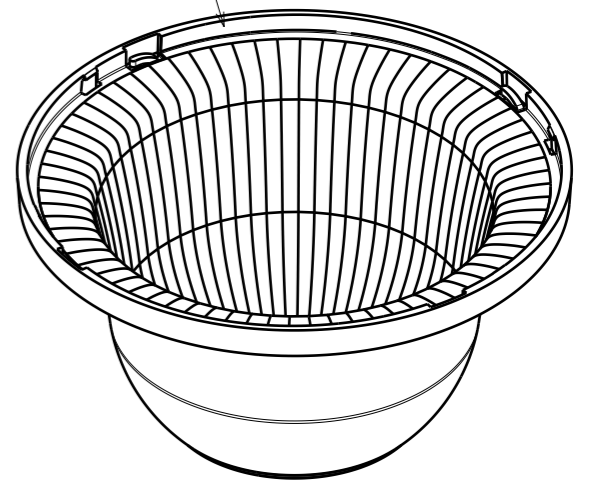
6.5



Additional part

Section view

ANGELETTE-WW-B



ANGELETTE-WW-B-PLAIN

Tolerances if not otherwise shown
 According to DIN ISO 2768-1
 Linear measures:
 up to 30mm class M, otherwise class C
 According to DIN ISO 2768-2
 Form and position: class L

LEDiL Ledil Oy
 Salorankatu 10
 FIN 24240 SALO
 Finland

THIRD ANGLE PROJECTION:

DRAWING TITLE
Datasheet_ANGELETTE-WW-B

This drawing is the property
 of LEDiL Oy. It may not be
 reproduced, copied or
 communicated without a written
 agreement with LEDiL Oy.

SIZE **A3** PART NUMBER **ANGELETTE-WW-B**
ANGELETTE-WW-B-PLAIN

SCALE **1:1** WEIGHT SHEET **1/1**