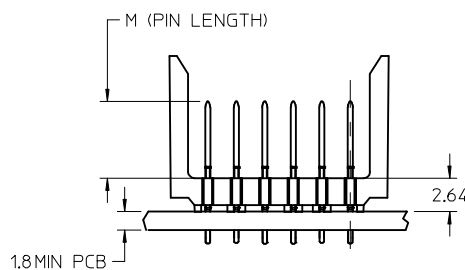
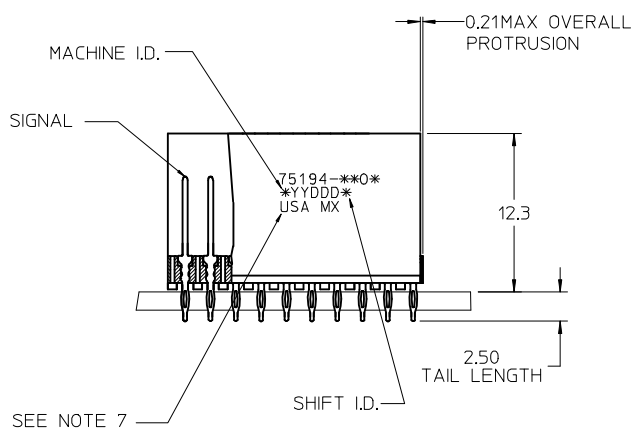


BACKPLANE HOLE PATTERN
RECOMMENDED DIMENSIONS

NOTES:

- MATERIALS:
HOUSING - LIQUID CRYSTAL POLYMER (LCP), GLASS-FILLED, UL 94V-0, COLOR: BLACK
SIGNAL PIN - COPPER ALLOY
- FINISHES:
CONTACT AREA: SELECTIVE GOLD (Au)
PCB TAILS: SELECTIVE MATTE TIN (Sn)
NICKEL (Ni) UNDERPLATE OVERALL.
- THIS PART CONFORMS TO MOLEX PRODUCT SPECIFICATION PS-74031-999
- FOR MIXED CONTACT LENGTHS CONSULT MOLEX FOR AVAILABILITY
- FOR SPECIFIC MATERIAL NUMBERS & MATING INFORMATION REFER TO SHEET 2
- PACKAGE PER PK-74057-003
- EITHER MARK PART WITH PART NUMBER & DATE CODE APPROXIMATELY WHERE SHOWN OR PLACE LABEL ON THE TUBE.
- MAPS (MOLEX ADVANCE PLATING SYSTEMS).



THE PRIMARY CARTON WITH A LABEL STATING "ELV AND RoHS COMPLIANT" IS LEAD FREE. CARTONS WITHOUT THIS LABEL MAY CONTAIN LEAD.

LEAD FREE CONVERSION EC NO: UCP2013-0687 DRAWN BY: DRWIN/MOLFE CHECKED BY: CHYKSWANG APPROVED BY: APPRS/MILLER DATE: 2012/08/17 DATE: 2012/10/14 DATE: 2012/10/14	QUALITY SYMBOLS	GENERAL TOLERANCES (UNLESS SPECIFIED)	DIMENSION STYLE	SCALE	DESIGN UNITS	THIRD ANGLE PROJECTION																		
	$\nabla=0$ $\nabla=0$ $\nabla=0$	<table border="1"> <tr> <th></th> <th>mm</th> <th>INCH</th> </tr> <tr> <td>4 PLACES</td> <td>±0.25</td> <td>±0.010</td> </tr> <tr> <td>3 PLACES</td> <td>±0.38</td> <td>±0.015</td> </tr> <tr> <td>2 PLACES</td> <td>±0.51</td> <td>±0.020</td> </tr> <tr> <td>1 PLACE</td> <td>±0.64</td> <td>±0.025</td> </tr> <tr> <td>0 PLACE</td> <td>±0.76</td> <td>±0.030</td> </tr> </table>		mm	INCH	4 PLACES	±0.25	±0.010	3 PLACES	±0.38	±0.015	2 PLACES	±0.51	±0.020	1 PLACE	±0.64	±0.025	0 PLACE	±0.76	±0.030	MM ONLY	2:1	METRIC	
		mm	INCH																					
	4 PLACES	±0.25	±0.010																					
3 PLACES	±0.38	±0.015																						
2 PLACES	±0.51	±0.020																						
1 PLACE	±0.64	±0.025																						
0 PLACE	±0.76	±0.030																						
MATERIAL NO. SEE SHT.2 DOCUMENT NO. SD-75194-001 SIZE D	DRAWN BY: MBANDURA CHECKED BY: NMARTIN APPROVED BY: SMILLER DATE: 2002/12/18 DATE: 2002/12/18 DATE: 2012/08/10	TITLE: VHDM LITE 6 ROW, LF OPEN END BACKPLANE SALES DRAWING 	SHEET NO. 1 OF 2																					
THIS DRAWING CONTAINS INFORMATION THAT IS PROPRIETARY TO MOLEX INCORPORATED AND SHOULD NOT BE USED WITHOUT WRITTEN PERMISSION																								

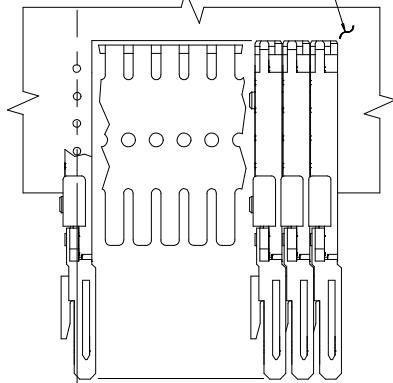
MATERIAL NUMBER ASSIGNMENT

75194- **0*

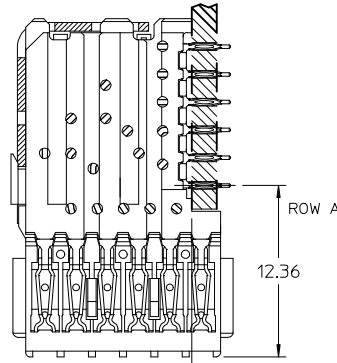
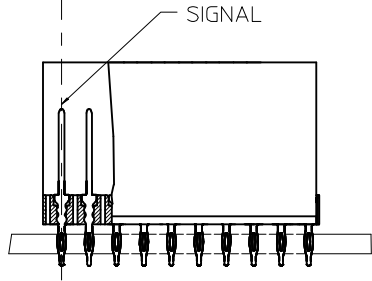
PIN LENGTH *M/
GOLD THICKNESS.
SEE TABLE

NUMBER OF COLUMNS/PLATING
 10 = 10 COLUMN MATTE TIN (FORMERLY TIN/LEAD)
 25 = 25 COLUMN MATTE TIN (FORMERLY TIN/LEAD)
 60 = 10 COLUMN MATTE TIN (MAPS)
 75 = 25 COLUMN MATTE TIN (MAPS)
 90 = 10 COLUMN MATTE TIN
 85 = 25 COLUMN MATTE TIN

SIGNAL COLUMN
 DAUGHTERCARD CONNECTOR SIDE

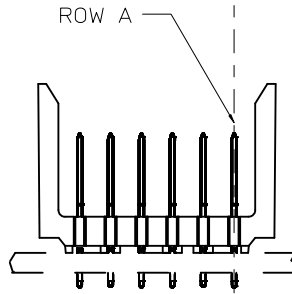


0.41 OFFSET
SIGNAL TO SIGNAL



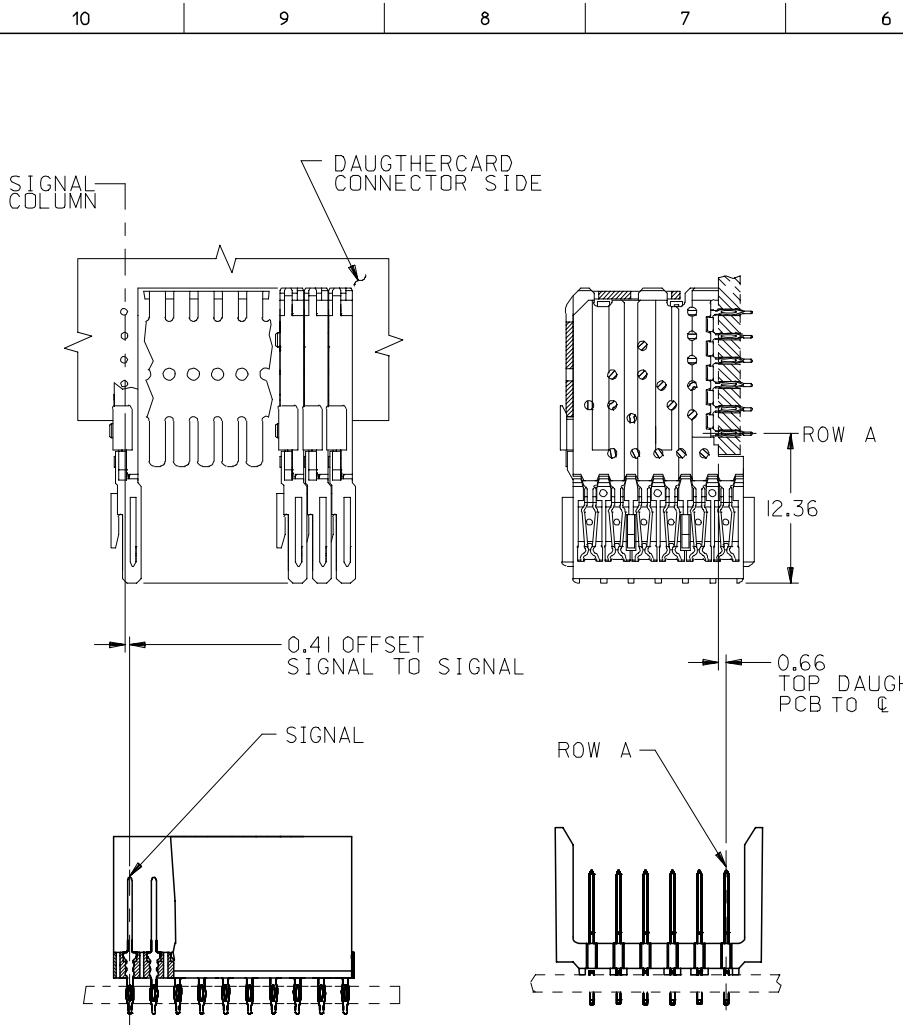
ROW A
 12.36

0.66
TOP DAUGHTERCARD
PCB TO ϕ ROW A



PART NUMBER	COLUMN	NUMBER OF SIGNAL PIN	NUMBER OF SHIELD	A	B	M	GOLD THICKNESS MICROMETER	TIN THICKNESS MICROMETER
75194-6001	10	60	10	20.00	18.00	4.75	0.25 MAPS	0.76-1.52
75194-*001							0.76	
75194-*006							1.27	
75194-7501	25	150	25	50.00	48.00	6.25	0.25 MAPS	
75194-*501							0.76	
75194-*506							1.27	
75194-6002	10	60	10	20.00	18.00	4.25	0.25 MAPS	
75194-*002							0.76	
75194-*007							1.27	
75194-7502	25	150	25	50.00	48.00	5.15	0.25 MAPS	
75194-*502							0.76	
75194-*507							1.27	
75194-6003	10	60	10	20.00	18.00	4.25	0.25 MAPS	
75194-*003							0.76	
75194-*008							1.27	
75194-7503	25	150	25	50.00	48.00	5.15	0.25 MAPS	
75194-*503							0.76	
75194-*508							1.27	
75194-6004	10	60	10	20.00	18.00	4.25	0.25 MAPS	
75194-*004							0.76	
75194-*009							1.27	
75194-7504	25	150	25	50.00	48.00	5.15	0.25 MAPS	
75194-*504							0.76	
75194-*509							1.27	

SEE SHEET 1 EIC NO: UCP2013-0687 DRAWN: MWLEE 2012/08/17 CHECKED: SWANG 2012/08/17 APPROVED: SMILLER 2012/12/14	QUALITY SYMBOLS	GENERAL TOLERANCES (UNLESS SPECIFIED)	DIMENSION STYLE	SCALE	DESIGN UNITS	THIRD ANGLE PROJECTION
	▽=0 ▽=0 ▽=0	mm INCH 4 PLACES ±--- ±--- 3 PLACES ±--- ±--- 2 PLACES ±0.25 ±--- 1 PLACE ±0.38 ±--- 0 PLACE ±--- ±---	MM ONLY	2:1	METRIC	TITLE VHDM LITE 6 ROW, LF OPEN END BACKPLANE SALES DRAWING
	ANGLAR ±1/2° DRAFT WHERE APPLICABLE MUST REMAIN WITHIN DIMENSIONS	DRAWN BY DATE MBANDURA 2002/12/18 CHECKED BY DATE NMARTIN 2002/12/18 APPROVED BY DATE SMILLER 2012/08/10	MATERIAL NO. SEE TABLE	DOCUMENT NO. SD-75194-001	SHEET NO. 2 OF 2	
	THIS DRAWING CONTAINS INFORMATION THAT IS PROPRIETARY TO MOLEX INCORPORATED AND SHOULD NOT BE USED WITHOUT WRITTEN PERMISSION					



PART NUMBER	COLUMN	NUMBER OF SIGNAL PIN	NUMBER OF SHIELD	A	B	M	Au (um) THICKNESS	Sn (um) THICKNESS
75194-*001	10	60	0	20.00	18.00	4.75	0.76	0.76-1.52
75194-*501	25	150	0	50.00	48.00		0.76	
75194-*002	10	60	0	20.00	18.00	6.25	0.76	
75194-*502	25	150	0	50.00	48.00		0.76	
75194-*003	10	60	0	20.00	18.00	4.25	0.76	
75194-*503	25	150	0	50.00	48.00		0.76	
75194-*004	10	60	0	20.00	18.00	5.15	0.76	
75194-*504	25	150	0	50.00	48.00		0.76	

MATERIAL NUMBER ASSIGNMENT

75194- ** **
 SEE TABLE
 NUMBER OF COLUMNS/PLATING
 10 = 10 COLUMN TIN/LEAD
 25 = 25 COLUMN TIN/LEAD
 90 = 10 COLUMN MATTE TIN
 85 = 25 COLUMN MATTE TIN

SEE SHEET 1 EC NO: UCP2006-0059 DRWN: KMLVEY 2005/07/13 CHKD: 2005/07/13 APPR: SREED 2005/07/15	QUALITY SYMBOLS	GENERAL TOLERANCES (UNLESS SPECIFIED)	DIMENSION STYLE	SCALE	DESIGN UNITS	THIRD ANGLE PROJECTION															
	$\nabla=0$ $\nabla=0$	<table border="1"> <tr> <th></th> <th>MM</th> <th>INCH</th> </tr> <tr> <td>4 PLACES</td> <td>± ---</td> <td>± ---</td> </tr> <tr> <td>3 PLACES</td> <td>± ---</td> <td>± ---</td> </tr> <tr> <td>2 PLACES</td> <td>± ---</td> <td>± ---</td> </tr> <tr> <td>1 PLACE</td> <td>± ---</td> <td>± ---</td> </tr> </table>		MM	INCH	4 PLACES	± ---	± ---	3 PLACES	± ---	± ---	2 PLACES	± ---	± ---	1 PLACE	± ---	± ---	MM ONLY	2.5:1	METRIC	
		MM	INCH																		
	4 PLACES	± ---	± ---																		
	3 PLACES	± ---	± ---																		
2 PLACES	± ---	± ---																			
1 PLACE	± ---	± ---																			
<table border="1"> <tr> <th>DRAWN BY</th> <th>DATE</th> </tr> <tr> <td>MBANDURA</td> <td>2002/12/18</td> </tr> <tr> <th>CHECKED BY</th> <th>DATE</th> </tr> <tr> <td>NMARTIN</td> <td>2002/12/18</td> </tr> <tr> <th>APPROVED BY</th> <th>DATE</th> </tr> <tr> <td>CBIXLER</td> <td>2002/12/18</td> </tr> </table>	DRAWN BY	DATE	MBANDURA	2002/12/18	CHECKED BY	DATE	NMARTIN	2002/12/18	APPROVED BY	DATE	CBIXLER	2002/12/18	<table border="1"> <tr> <th>TITLE</th> </tr> <tr> <td>VHM LITE 6 ROW OPEN END BACKPLANE SALES ASSEMBLY</td> </tr> </table>	TITLE	VHM LITE 6 ROW OPEN END BACKPLANE SALES ASSEMBLY						
DRAWN BY	DATE																				
MBANDURA	2002/12/18																				
CHECKED BY	DATE																				
NMARTIN	2002/12/18																				
APPROVED BY	DATE																				
CBIXLER	2002/12/18																				
TITLE																					
VHM LITE 6 ROW OPEN END BACKPLANE SALES ASSEMBLY																					
<table border="1"> <tr> <th>MATERIAL NO.</th> <th>DOCUMENT NO.</th> <th>SHEET NO.</th> </tr> <tr> <td>SEE CHART</td> <td>SD-75194-001</td> <td>2 OF 2</td> </tr> </table>	MATERIAL NO.	DOCUMENT NO.	SHEET NO.	SEE CHART	SD-75194-001	2 OF 2	<table border="1"> <tr> <th colspan="2">MOLEX INCORPORATED</th> </tr> </table>		MOLEX INCORPORATED												
MATERIAL NO.	DOCUMENT NO.	SHEET NO.																			
SEE CHART	SD-75194-001	2 OF 2																			
MOLEX INCORPORATED																					
DRAFT WHERE APPLICABLE MUST REMAIN WITHIN DIMENSIONS		THIS DRAWING CONTAINS INFORMATION THAT IS PROPRIETARY TO MOLEX INCORPORATED AND SHOULD NOT BE USED WITHOUT WRITTEN PERMISSION																			