

4

3

2

1

THIS DRAWING IS UNPUBLISHED.

RELEASED FOR PUBLICATION

© COPYRIGHT

BY -

ALL RIGHTS RESERVED.

LOC

DIST

REVISIONS

DS

-

P

LTR

DESCRIPTION

DATE

DWN

APVD

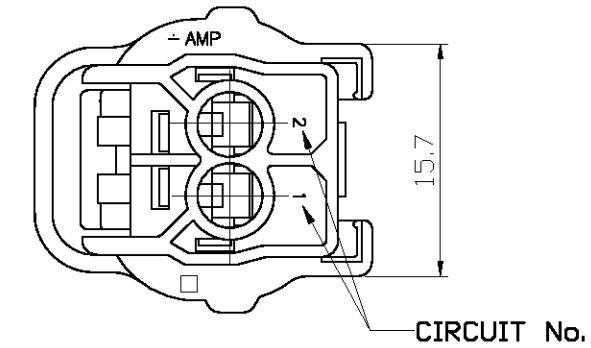
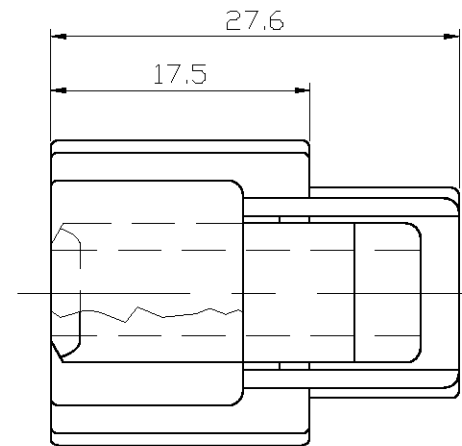
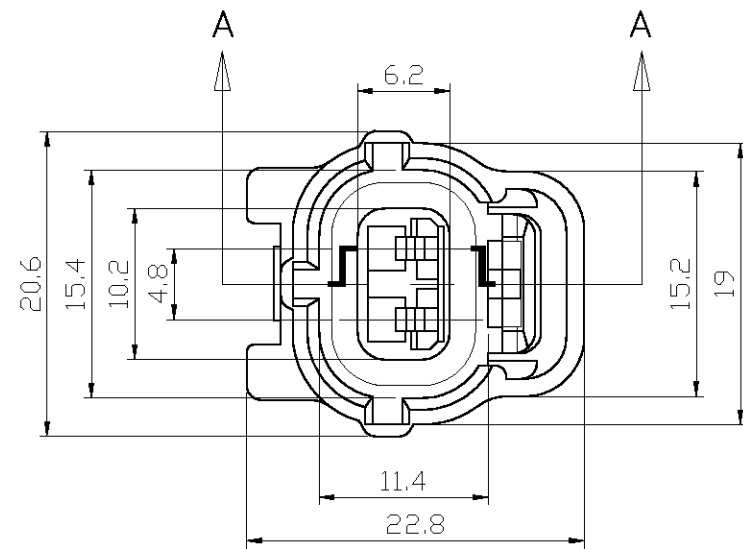
E3

REVISED PER ECO-11-005139

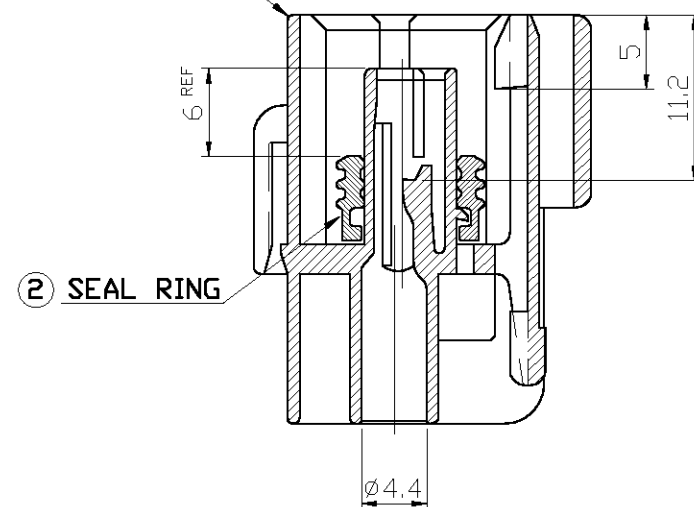
28MAR11

RK

HMR



① PLUG HOUSING



② SEAL RING

SECTION A-A

NOTE;

- 1. FOR CAP HOUSING P/N 174354
- 2. THIS PART IS COMPOSED OF PLUG HOUSING P/N 368254 AND SEAL RING P/N 917370, 368882
- 3. THIS PART MUST BE USED WITH DOUBLE LOCK PLATE P/N 174353 <sup>EC</sup>
- 4. APPLICABLE CONTACT P/N 171630, 171662

ASSY PN	368261-3	368261-2	368261-1

NO	COLOR	MATERIAL	DESCRIPTION	QT'Y
②	BROWN	SILICON	SEAL RING	1
	BLACK	SILICON	SEAL RING	1
①	GRAY	PBT	2P PLUG HOUSING	1
	BLACK	PBT	2P PLUG HOUSING	1

DIMENSIONS: MM		TOLERANCES UNLESS OTHERWISE SPECIFIED:		DWN KT JUNG			
		0 <XX<10 ± 0.2 10<XX<30 ± 0.25 30<XX ± 0.3 ANGLES ± 3°		CHK JW JUNG			
MATERIAL		FINISH		APVD HG CHO		NAME	
SEE TABLE				PRODUCT SPEC 108-61054		ECONOSEAL J-MARKII(+) CONNECTOR 2 POS. PLUG HOUSING	
				APPLICATION SPEC 114-5082		RESTRICTED TO	
				WEIGHT 5.2g		-	
				CUSTOMER DRAWING		SCALE 2/1 SHEET 1 OF 1 REV E3	